

# Woodstock Metalworks Hook™

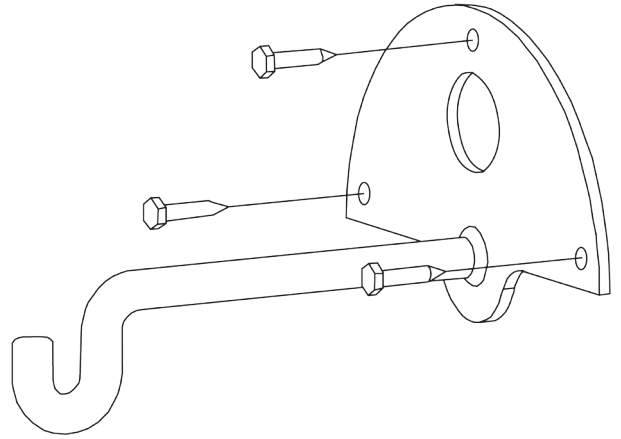
## Assembly Instructions

### Mounting Instructions – tools required

- 1) Adjustable wrench
- 2) A Drill and a 3/16 Drill bit

### Mounting the bracket

- 1) Locate the bracket on a flat wood surface or on the house siding.
- 2) Mark the location of the three 1/4" holes using the bracket as a template.
- 3) Drill three 3/16" pilot holes 1-1/2" deep.
- 4) Use the three hex-head screws supplied to secure the bracket to the wall.



If you are mounting the bracket to masonry, sheetrock or any surface that does not have solid wood backing, please see your local hardware dealer for the appropriate fasteners.



Shokan, NY 12481-5124  
woodstock@chimes.com  
[www.chimes.com](http://www.chimes.com)

©2016 WPI  
10/07/16

File #WMH-INS100716

---

# Woodstock Metalworks Hook™

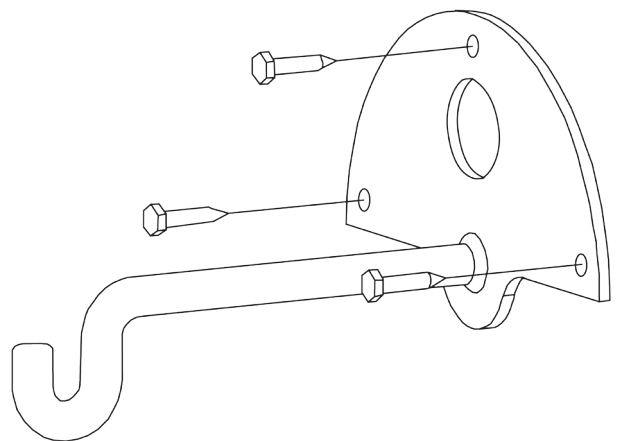
## Assembly Instructions

### Mounting Instructions – tools required

- 1) Adjustable wrench
- 2) A Drill and a 3/16 Drill bit

### Mounting the bracket

- 1) Locate the bracket on a flat wood surface or on the house siding.
- 2) Mark the location of the three 1/4" holes using the bracket as a template.
- 3) Drill three 3/16" pilot holes 1-1/2" deep.
- 4) Use the three hex-head screws supplied to secure the bracket to the wall.



If you are mounting the bracket to masonry, sheetrock or any surface that does not have solid wood backing, please see your local hardware dealer for the appropriate fasteners.



Shokan, NY 12481-5124  
woodstock@chimes.com  
[www.chimes.com](http://www.chimes.com)

©2016 WPI  
10/07/16

File #WMH-INS100716