

Woodstock

Mobile Trellis Display

Assembly Instructions

MTD

Parts List

A. Wire Grid	2 Pcs.	a. Non Locking Wheels	2 Pcs.
B. Long Poles	4 Pcs.	b. Locking Wheels	2 Pcs.
C. Short Poles	8 Pcs.	c. Wing Nuts	4 Pcs.
D. Side Hangrails	2 Pcs.	d. Tool Wrench	1 Pc.
E. Corner Hooks	4 Pcs.	e. S-Hook	1 Pkg
F. Arch Wire Top	1 Pc.	f. HB6 Hook	1 Pkg.
		g. HB12 Hook	1 Pkg.
		h. Header Sign	1 Pc.

Step 1.

Insert the threaded stem of a wheel (**a or b**) through one of the four holes on a Wire Grid (**A**). Twist a Short Pole (**C**) onto the wheel stem. Use the wrench (**d**) to secure the nut above the wheel. Please tighten securely. Do this to all four wheels **making sure that you have two locking wheels on either the right or the left side of the display.**

Step 2.

Insert the second Wire Grid (**A**) onto the four short poles. Twist a Long Pole (**B**) onto a shorter one at each of the four corners.

Step 3.

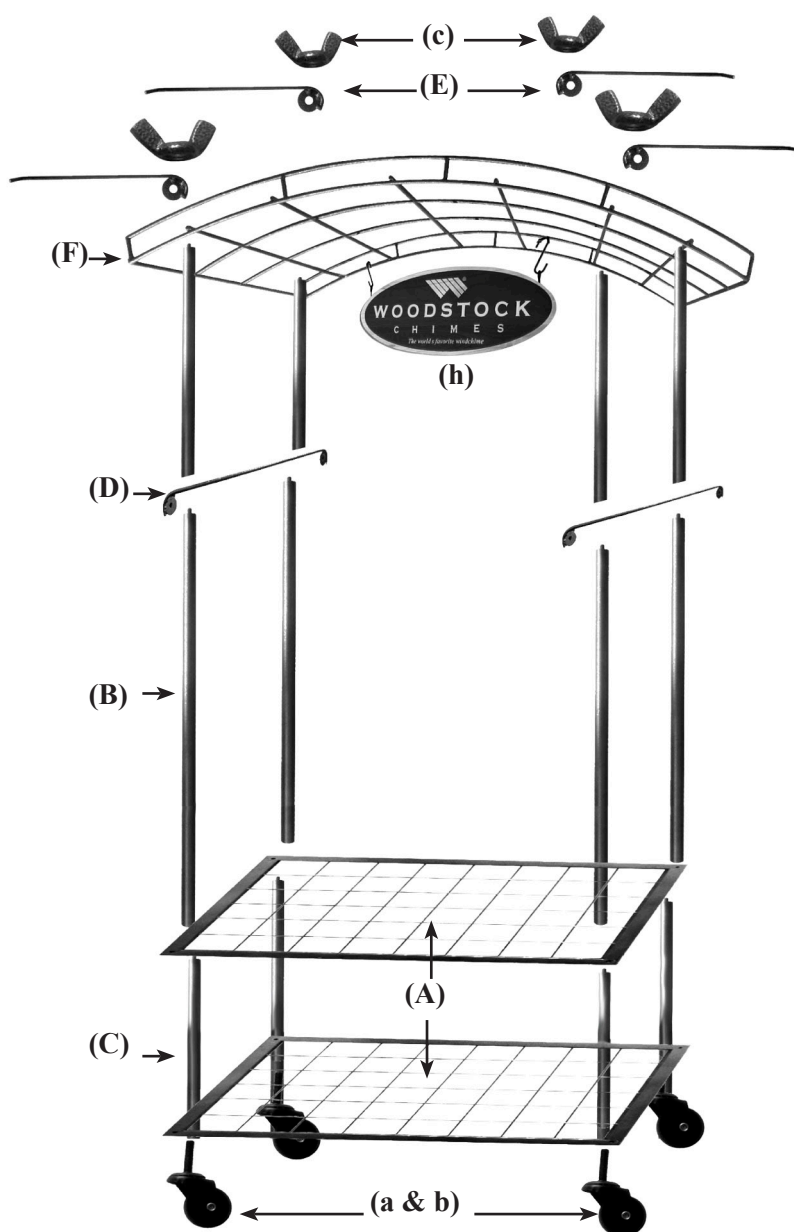
Insert two Side Hangrails (**D**) onto the four long poles on the sides of the display, and then twist a Short Pole (**C**) onto a longer one at each of the four corners.

Step 4.

Insert Arch Wire Top (**F**) on the 4 short poles, place Corner Hooks (**E**) on all 4 corners and then use the wing nuts (**c**) to secure the arch top at all four corners.

Step 4.

Attach Header Sign (**h**) with two S-Hooks from the package provided (**e**).



Woodstock Percussion, Inc.

Shokan, NY 12481-5124 USA

800-422-4463 • 800-4-A-CHIME • Fax 800-974-0622

E-mail: woodstock@chimes.com • www.WoodstockChimes.com

MTDIns080714

Revised 08/07/14

©2014