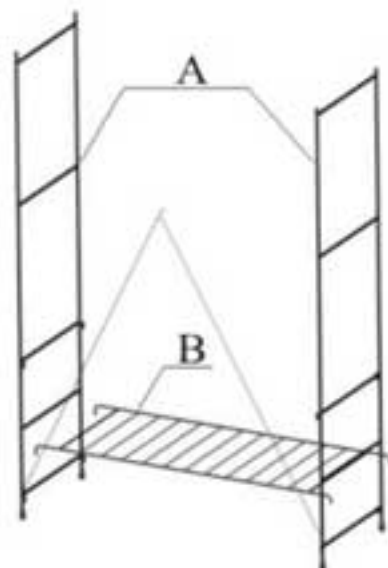
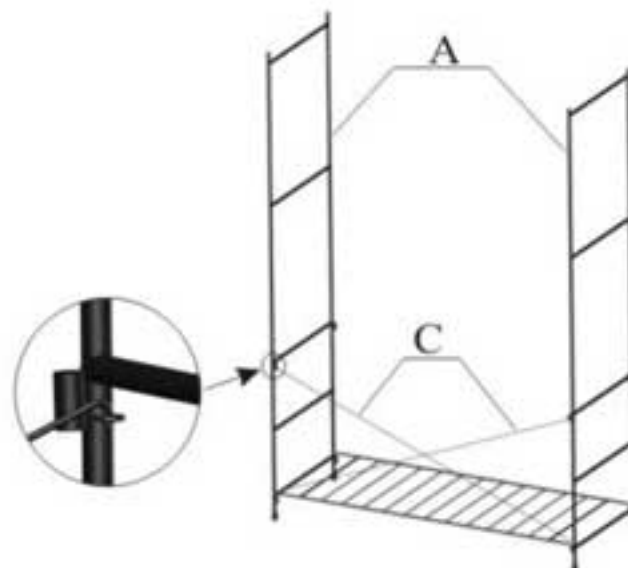


WOODSTOCK ARBOR DISPLAY (WACD)

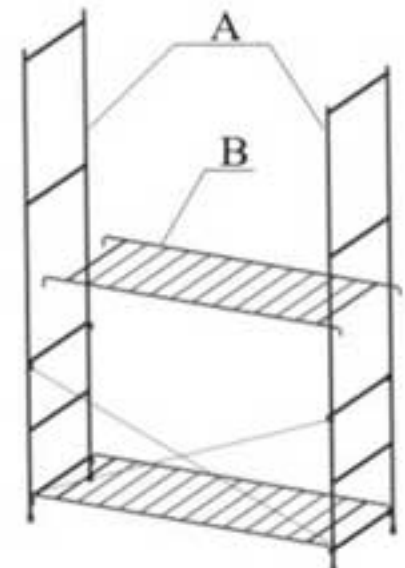
ASSEMBLY INSTRUCTIONS



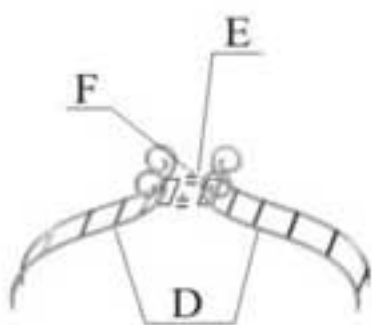
STEP 1



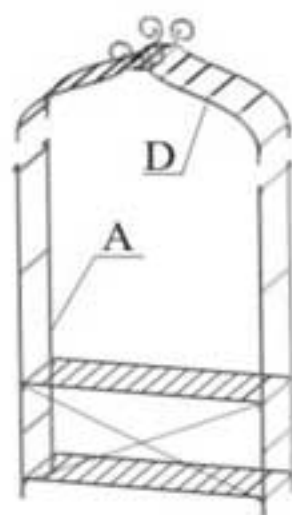
STEP 2



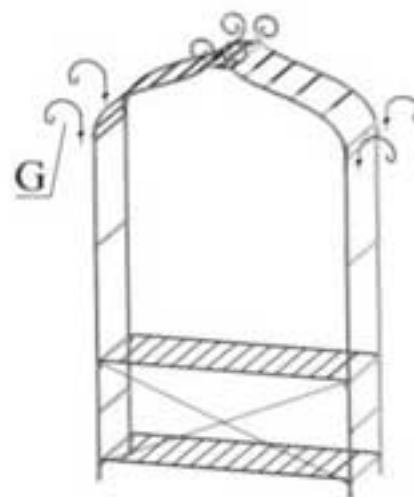
STEP 3



STEP 4



STEP 5



STEP 6



STEP 7

PARTS LIST:

A: Support panel	2pcs	E: Connector	2pcs
B: Shelf grid	2pcs	F: Bolt	2pcs
C: Diagonal braces (attached to support panels)	2pcs	G: Hook	4pcs
D: Top frame	2pcs	H: S-Hook	26pcs
		I: Display sign (If ordered, shipped in separate carton)	1pc

ASSEMBLY:

STEP#1: Insert one of the shelf grids (B) into the bottom location on the support panels (A).

STEP#2: Attach the loose ends of the 2 diagonal braces (C) into the upper rings on the opposite support panels (A).

STEP#3: Insert the other shelf grid (B) into the upper location on the support panels (A).

STEP#4: Attach 2 top frames (D) together with 2 connectors (E) and 2 bolts (F).

STEP#5: Insert the top frames (D) into the support panels (A).

STEP#6: Insert 4 hooks (G) into the support panels (A).

STEP#7: If ordered, use 2 S-hooks (H) to hang the display sign (I).



Woodstock Percussion, Inc.

Shokan, NY 12481-5124 USA

800-422-4463 · 800-4-A-CHIME · Fax: 800-974-0622

E-mail: woodstock@chimes.com · www.chimes.com

Revision date 09/11/2008

©2008 WPI