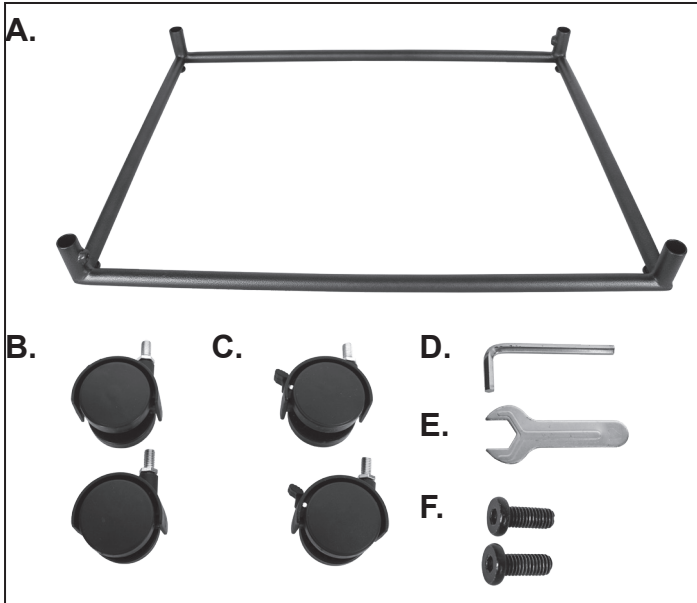


# Woodstock

## Arbor Display Dolly

### Assembly Instructions

#### WACDSD, WACDXLD



Includes:

A .....	Dolly Frame.....	1
B .....	Non-locking Casters.....	2
C .....	Locking Casters .....	2
D .....	Allen Wrench.....	1
E .....	Hex Wrench .....	1
F .....	Low-Profile Socket Head Screws.....	2



**Fig. 1**

1. Place Dolly Frame (**A**) upside down on a flat surface. Screw a threaded caster into a threaded hole in a corner of the frame. Use the Hex Wrench (**E**) to tighten securely. See **Fig. 1**. Repeat for the remaining casters, making sure that the two locking casters (**C**) are both on one of the short sides of the dolly.
2. Rotate the dolly so that the casters are facing down. Insert the Socket Head Screws (**F**) into the threaded holes located diagonally opposite each other in two of the upright sections of the frame. Do not tighten these screws yet.
3. Remove the four rubber foot coverings at the base of the Arbor Display. **Important:** These feet must be removed for the display to firmly seat in the dolly. Place the display legs into the four upright corner receptacles on the dolly. Using the Allen Wrench (**D**), securely tighten the two Socket Head Screws. See **Fig. 2**.
4. Before loading the display, confirm the display stand is firmly attached to the dolly. You should periodically check and retighten the socket head screws.



**Fig. 2**

