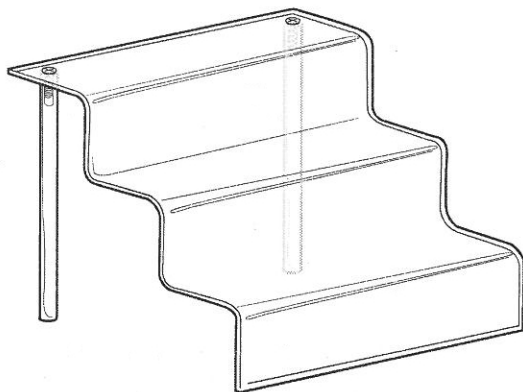
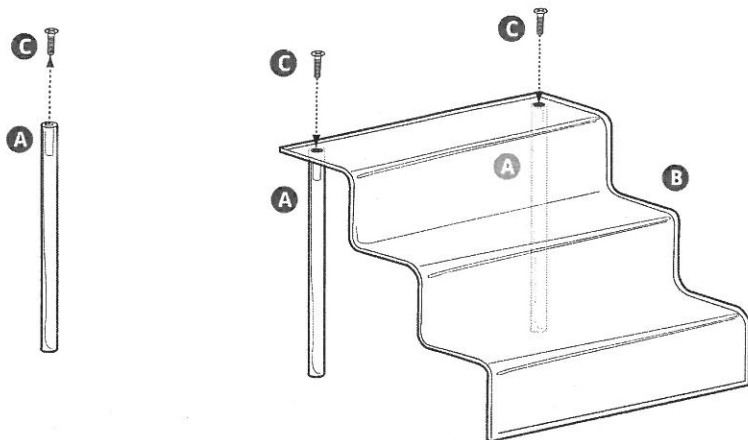


ITEM **#326043, #326046** THREE-TIER ACRYLIC RISER



**ASSEMBLY:**

Unscrew the **C** screws from the **A** pole stands.

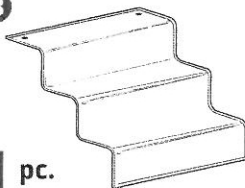
Align the two **A** pole stands underneath the **B** 3-tier riser and secure it with the **C** screw.

**A**



**2** pcs.  
POLE STAND

**B**



**1** pc.  
3-TIER RISER

**C**



**2** pcs.  
SCREWS

**#326043, #326046**