



# Woodstock Table Gong™

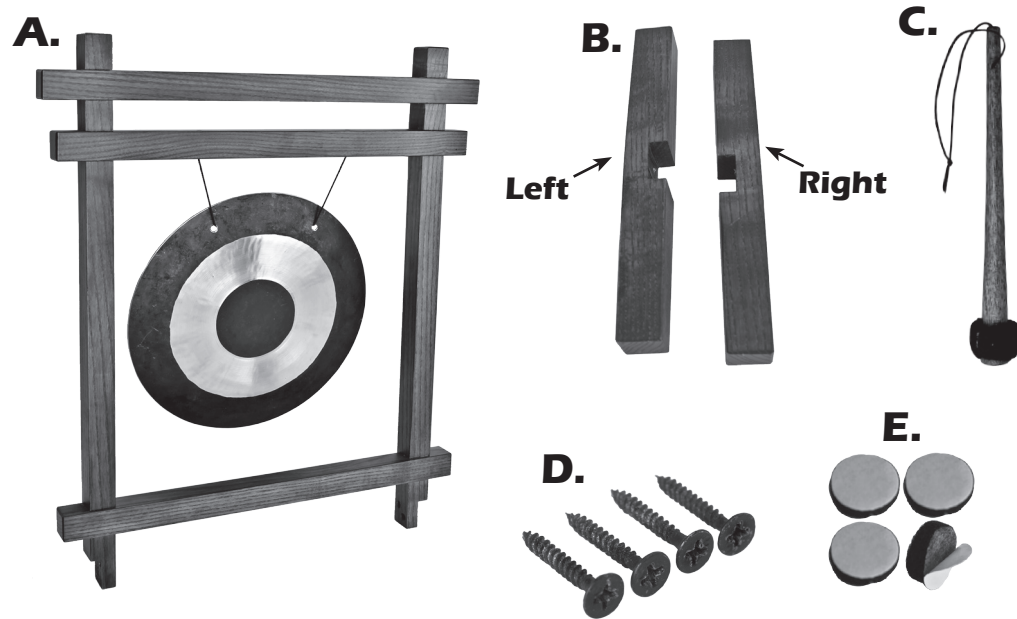
## Assembly Instructions

 **Woodstock Chimes®**  
Shokan, NY 12481-5124  
woodstock@chimes.com  
www.chimes.com

©2016 WPI  
Rev. 06/13/16  
File #WTG-INS061316

## INCLUDED PARTS:

- A. Upright Frame and Gong..... 1
- B. Set of Feet (Left and Right) ..... 1 Set
- C. Mallet..... 1
- D. Phillips Flat Head Screws..... 4
- E. Felt Pads..... 4

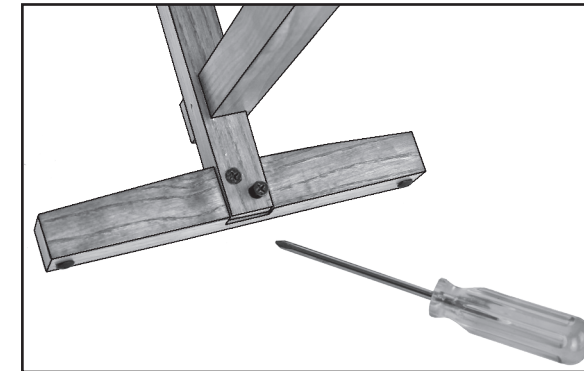
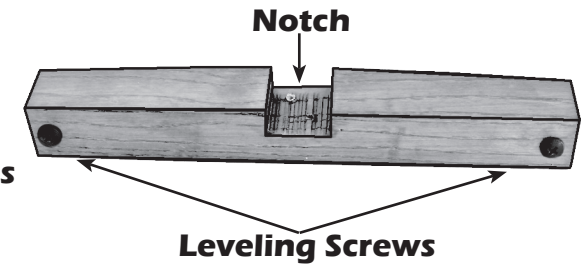


You will need:

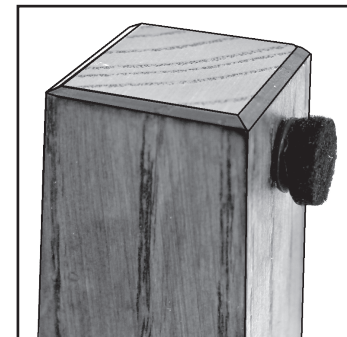


Phillips Head Screwdriver

1. Make sure each Foot (B) is held so that the Leveling Screws are facing down and the notch in the Foot is facing toward the gong.



2. Align the pre-drilled holes in each Foot to those in the Upright Frame (A). Insert two Phillips Flat Head Screws (D) into each leg of the frame and tighten with a Phillips Head Screwdriver. Repeat on other leg.
3. Place the assembled frame in the location you wish to display your Table Gong. If necessary, adjust the Leveling Screws at the bottom of the feet by turning in a clockwise or counterclockwise direction.



4. Remove the paper from the self-sticking felt pads (E) making sure to leave the adhesive tape layer attached to the felt. It might be useful to crinkle the paper slightly prior to peeling. This helps to break its connection to the adhesive, allowing you to peel the paper without removing the adhesive. Place one on each Leveling Screw head at the bottom of each foot.